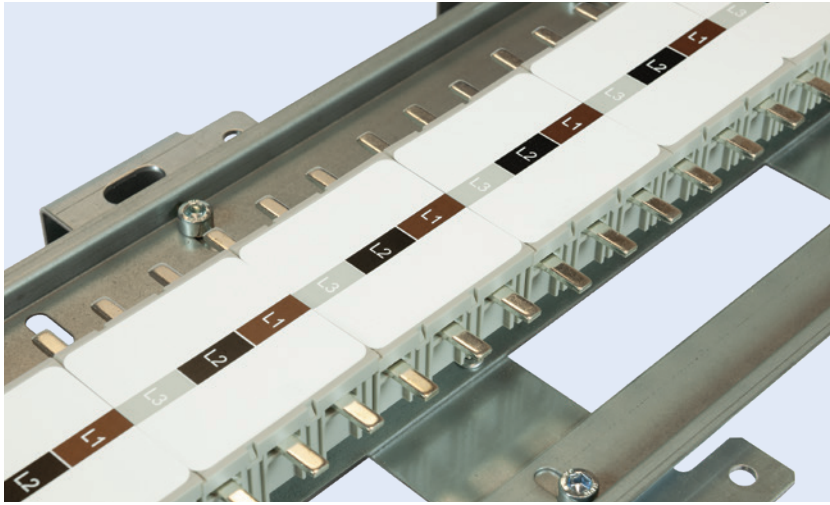


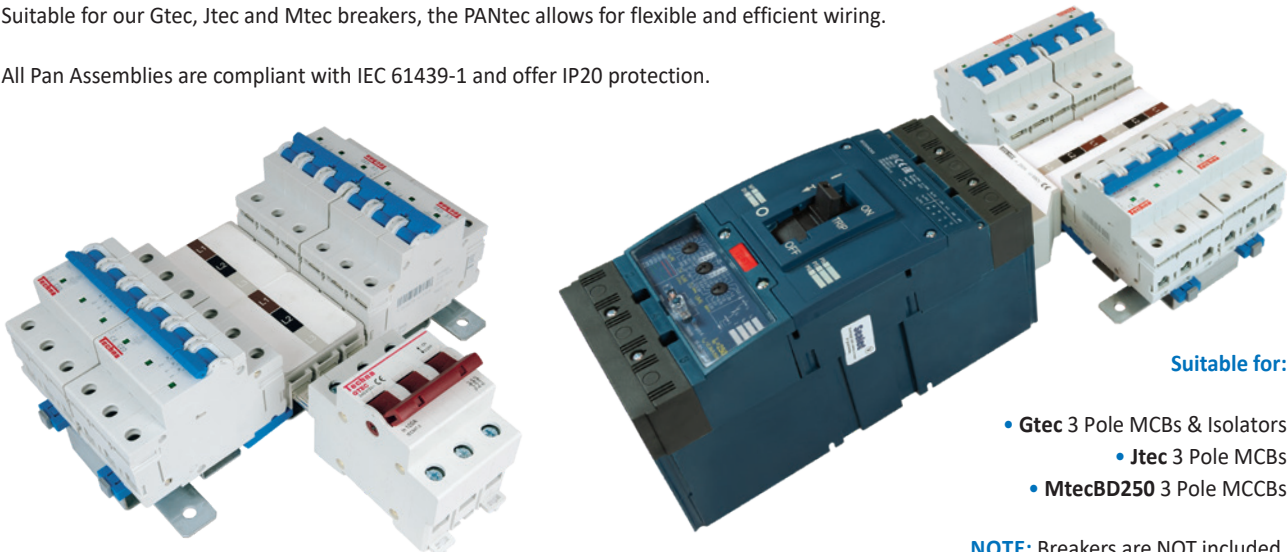
## PANtec Pan Assemblies



PANtec Pan Assemblies are designed to assist with time saving installation and have been designed to minimise their footprint with a compact construction. Available in 4 to 24 triple pole ways as standard, the PANtec range is suitable for a wide variety of three phase systems.

Suitable for our Gtec, Jtec and Mtec breakers, the PANtec allows for flexible and efficient wiring.

All Pan Assemblies are compliant with IEC 61439-1 and offer IP20 protection.



Suitable for:

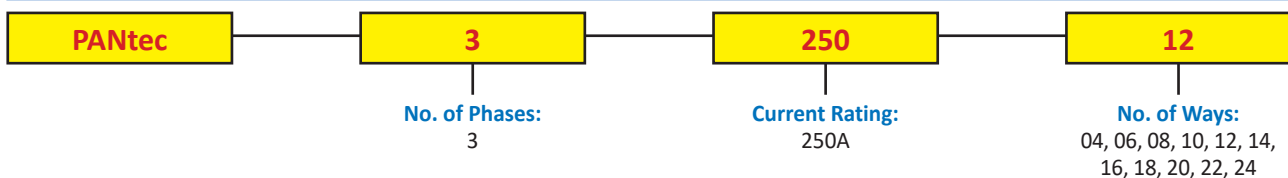
- Gtec 3 Pole MCBs & Isolators
- Jtec 3 Pole MCBs
- MtecBD250 3 Pole MCCBs

**NOTE:** Breakers are NOT included.

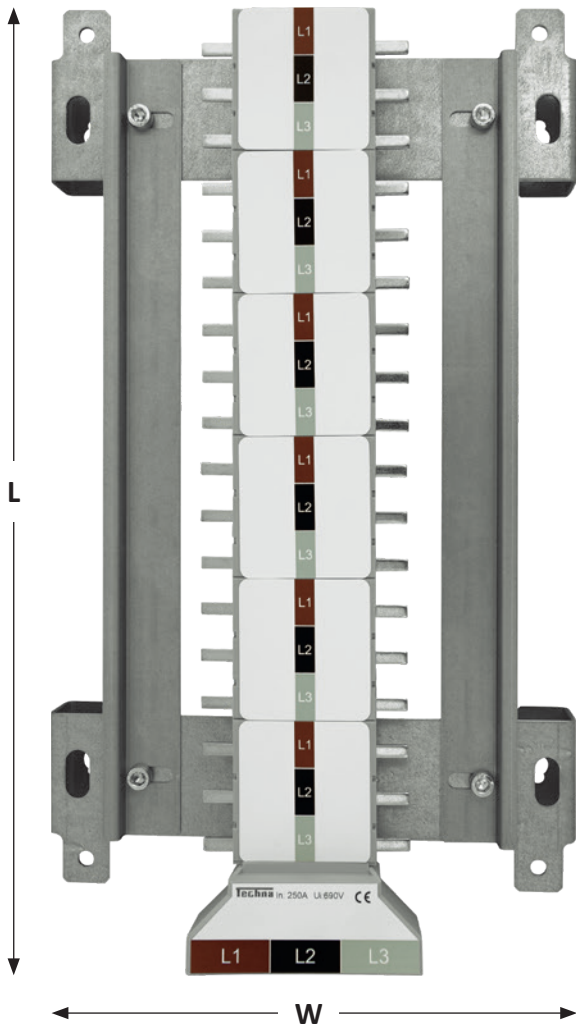
### PANtec Technical Specification

Number of Phases	3
Current Rating	250A
Rated Voltage	690V
Number of Ways	4, 6, 8, 10, 12, 14, 16, 18, 20, 22 or 24

### PANtec Ordering Scheme



## PANtec Basic Dimensions



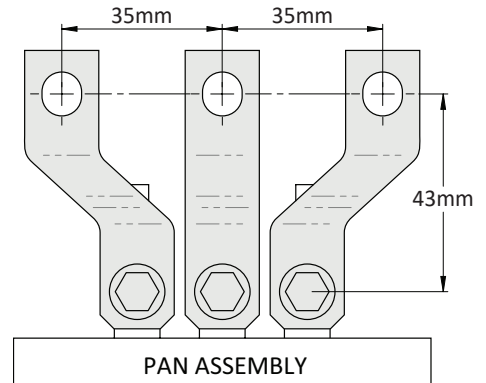
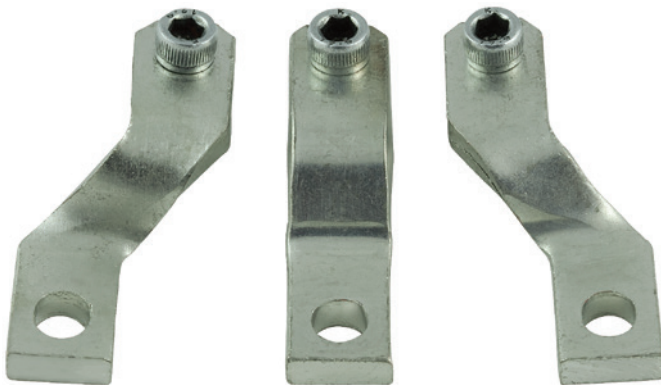
No. of Ways	Dimensions (L x W x D)	Order Code
4	145 x 219 x 68mm	PANtec3-250-04
6	213 x 219 x 68mm	PANtec3-250-06
8	267 x 219 x 68mm	PANtec3-250-08
10	321 x 219 x 68mm	PANtec3-250-10
12	375 x 219 x 68mm	PANtec3-250-12
14	429 x 219 x 68mm	PANtec3-250-14
16	483 x 219 x 68mm	PANtec3-250-16
18	537 x 219 x 68mm	PANtec3-250-18
20	591 x 219 x 68mm	PANtec3-250-20
22	645 x 219 x 68mm	PANtec3-250-22
24	699 x 219 x 68mm	PANtec3-250-24

**NOTE:** Please contact Techna for detailed Dimensional Drawings of our PANtec Pan Assemblies.

The image shown on the left is the PANtec3-250-12 (12 Way).

## PANtec Accessories (Ordered Separately)

### Spreader Bar Set



**NOTE:** Suitable for MtecBD250 3 Pole MCCBs only

Accessories		Order Code
Spreader Bar Set	Suitable for MtecBD250 3 Pole MCCBs	PANtec3-SpreaderBarSet250