

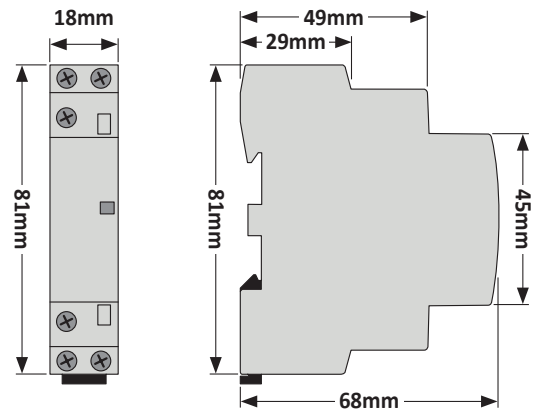
## GtecCX Installation Contactors



The GtecCX Installation Contactors are available in 2 pole with 2 normally open or 2 normally closed contacts and in 4 pole with 4 normally open or 4 normally closed contacts.

The 2 pole contactors are a single module design which is ideal for use in a Consumer Unit or where space is restricted. The 4 pole contactors are available in 63A or 100A.

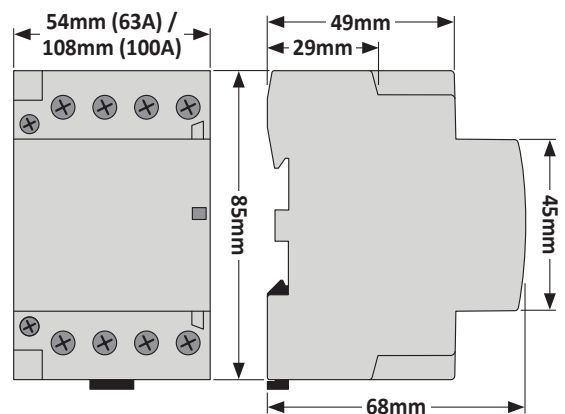
### GtecCX 2 Pole Dimensions



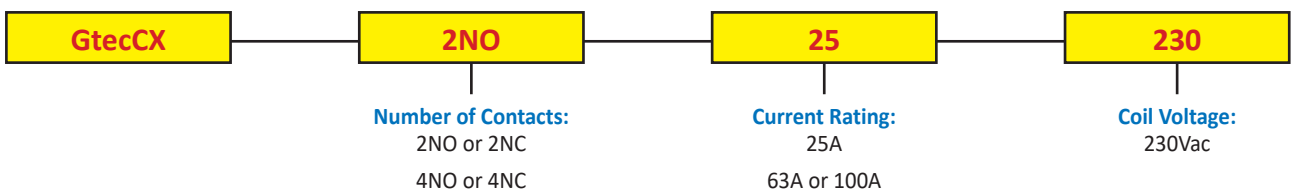
### GtecCX Technical Specification

Number of Contacts	2 NO or 2 NC	4 NO or 4 NC	
Current Rating	25A	63A	100A
Coil Voltage	230 Vac		
Width	18mm	54mm	108mm
Terminal Tightening Torque	0.8Nm	3.5Nm	
Cable Stripping Length	9mm	14mm	
Electrical Life	50,000 Cycles		
Max. Number of Switching Operations per day	100		
Insulation Voltage (Ui)	500 Vac		
Pollution Degree	2		
Rated Impulse Withstand Voltage (Uimp)	2.5kV		
Degree of Protection (IEC 60529)	IP20 - Device only / IP40 - Device in Modular Enclosure		
Operating Temperature	-5°C to +40°C		

### GtecCX 4 Pole Dimensions



### GtecCX Ordering Scheme



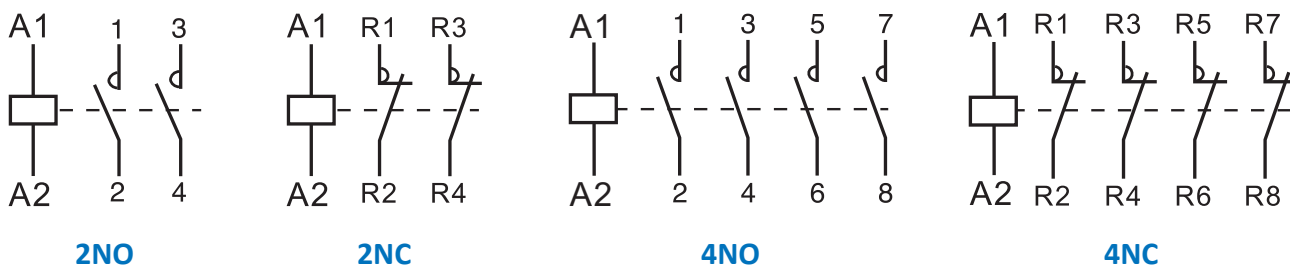
## GtecCX Consumption

Model	Rating (In)		Control Voltage (50Hz)	Consumption		Max. Power
	AC-7a	AC-7b		Holding	Inrush	
GtecCX-2NO-25-230 GtecCX-2NC-25-230	25A	8.5A	230 Vac	3.8VA	15VA	1.3W
GtecCX-4NO-63-230 GtecCX-4NC-63-230	63A	20A	230 Vac	6.5VA	53VA	2.1W
GtecCX-4NO-100-230 GtecCX-4NC-100-230	100A	-	230 Vac	13VA	106VA	4.2W

## GtecCX Current Range / Cable Sizes

Current Range	0 < 8A	8 < 12A	12 < 15A	15 < 20A	20 < 25A	25 < 32A	32 < 50A	50 < 65A	65 < 85A	85 < 100A
Min. Conductor Size	1mm <sup>2</sup>	1.5mm <sup>2</sup>	2.5mm <sup>2</sup>	2.5mm <sup>2</sup>	4mm <sup>2</sup>	6mm <sup>2</sup>	10mm <sup>2</sup>	16mm <sup>2</sup>	25mm <sup>2</sup>	35mm <sup>2</sup>

## GtecCX Circuit Diagrams



## GtecCX Installation Notes

GtecCX Contactors need to be installed individually. If several are to be fitted adjacent to each other, you will need to fit a spacer between each one to meet EN temperature rise limits (please see the diagram below).

The Ttec CA702 Spacer is available as an optional extra.



Ttec CA702

