

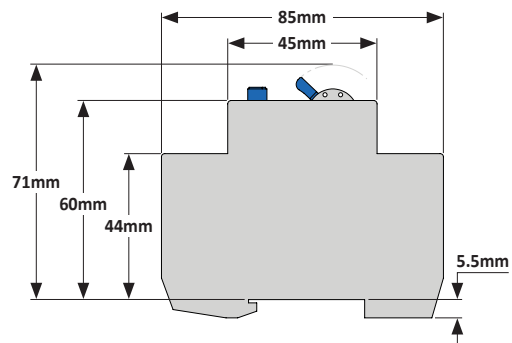
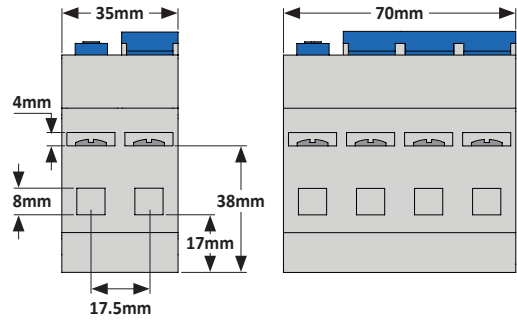
CtecX3 10kA RCCBs

25A - 63A



EN 61009-1
EN 61009-2-1

CtecX3 10kA RCCBs



The CtecX3 range is a Type A RCD suitable for operation with AC and pulsating DC current.

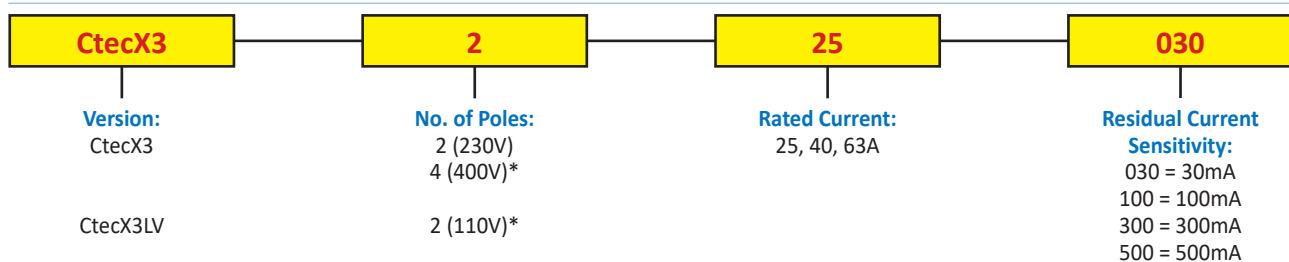
CtecX3 features dual pole switching (live and neutral disconnect) and provides protection against pulsating DC current leakage.

The CtecX3 range is also available in a LV version designed to be used on 110V systems. Inbuilt test button operates at rated voltage.

CtecX3 Technical Specification

Number of Poles	2 or 4
Rated Voltage (Un)	2 Pole: 110 or 230 Vac 4 Pole: 400 Vac
Rated Current	25, 40, 63A
Rated Residual Operating Current (I _{Δn})	10, 30, 100, 300, 500mA
Rated Short Circuit Capacity (I _{nc})	10kA
Electrical Life	4000 Switching Operations

CtecX3 Ordering Scheme



* Additional voltages may be available, consult Techna