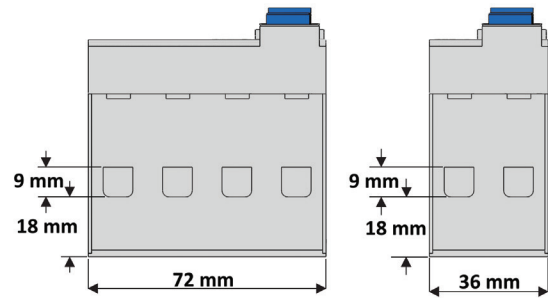


Cteca Residual Current Circuit Breakers

Up to 100A



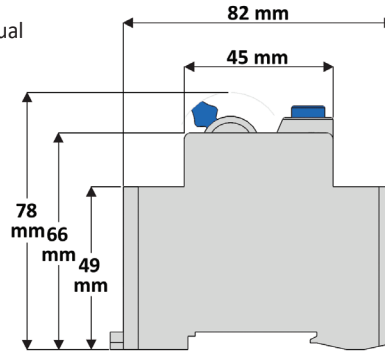
EN 61008-1
EN 61008-2-1



The Cteca range provides stylish and cost effective residual current (earth leak) fault protection in both 2 & 4 poles.

NOTE: The Cteca RCCB device does not provide overload or short circuit protection and should be used in conjunction with a miniature circuit breaker (Gtec or Htec).

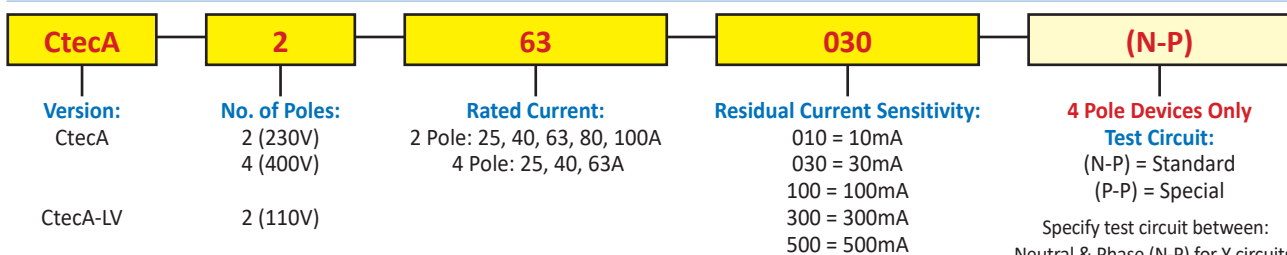
The Cteca range is also available in a LV version designed to be used on 110V systems. Inbuilt test button operates at rated voltage.



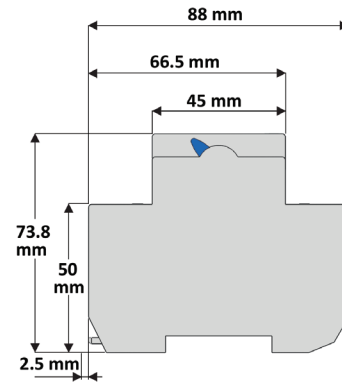
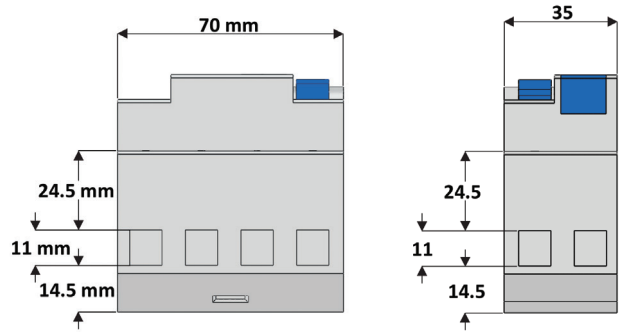
Cteca Technical Specification

Number of Poles	2 or 4
Type	A
Rated Voltage (Un)	2 Pole: 110 or 230 Vac 4 Pole: 400 Vac
Frequency	50 / 60Hz
Max. Operating Voltage	Vn + 10%
Residual Current Sensitivity	10, 30, 100, 300, 500mA
Current Rating	2 Pole: 25, 40, 63, 80, 100A 4 Pole: 25, 40, 63A
Ambient Temperature	-5°C to +40°C
Electrical Life	6000 Switching Operations
Mechanical Life	10000 Switching Operations

Cteca Ordering Scheme



CtecA Residual Current Circuit Breakers 100A - 125A



The CtecA high current versions provide residual current protection for circuits with loads up to 125A.

NOTE: The CtecA RCCB device does not provide overload or short circuit protection and should be used in conjunction with a miniature circuit breaker (Gtec or Htec).

The CtecA range is also available in a LV version designed to be used on 110V systems. Inbuilt test button operates at rated voltage.

CtecA High Current Technical Specification

Number of Poles	2 or 4
Type	A
Rated Voltage (Un)	2 Pole: 110 or 230 Vac 4 Pole: 400 Vac
Frequency	50 / 60Hz
Max. Operating Voltage	Vn + 10%
Residual Current Sensitivity	10, 30, 100, 300, 500mA
Current Rating	2 Pole: 125A 4 Pole: 100, 125A
Ambient Temperature	-5°C to +40°C
Electrical Life	6000 Switching Operations
Mechanical Life	10000 Switching Operations

CtecA High Current Ordering Scheme

