

# 16-3P

## 16-3P-Series

### PUSHBUTTON SWITCHES

The 16-3P-Series pushbutton switches are single pole and AC rated up to 3 amps. These momentary action switches have a slow-make, slow-break contact mechanism and require only light actuation force (4 oz. - 1 lb.). These switches are typically used in general purpose applications requiring finger actuation.



#### Product Highlights:

- Maintained, Momentary and 2 circuit function choices
- Available with optional overtravel plunger action
- Light 4 oz – 1 lb actuation force
- Metal plunger available with optional colored plastic cap

#### Typical Applications:

- Test & Measurement
- Audio Visual



**Carling Technologies®**  
Innovative Designs. Powerful Solutions.

**Techna**

[www.techna.co.uk](http://www.techna.co.uk)

### Dielectric Strength

UL/CSA: 1000V - live to dead metal parts

### Electrical Life

25,000 cycles

### Operating Temperature

32°F to 185°F (0°C to 85°C)

**16-3POFF** - **4** - **CBL**

1  
Base Part Number

2  
Bushing

3  
Actuator Style

#### 1 BASE PART NUMBER: SERIES / POLES / CIRCUITRY / RATING / TERMINATION

##### Single Pole

##### 3A 125VAC

Off-(On)  
Off-(On) with overtravel <sup>1</sup>  
On-(Off)

##### Solder Lug

16-3P Off  
16-3P Off-Ov  
16-3P On

##### Wire Leads

16-3AP Off  
16-3AP Off-Ov  
16-3AP On

##### 1A 125VAC

On-On  
On-On with overtravel <sup>1</sup>  
1 On-1 Off (2 circuit)  
1 On-1 Off with overtravel <sup>1</sup> (2 circuit)

116-P  
116-P-OV  
516-P  
516-P-OV

116-AP  
116-AP-OV  
516-AP  
516-AP-OV

#### 2 BUSHING STYLE

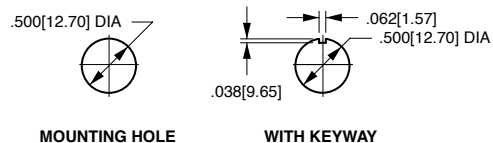
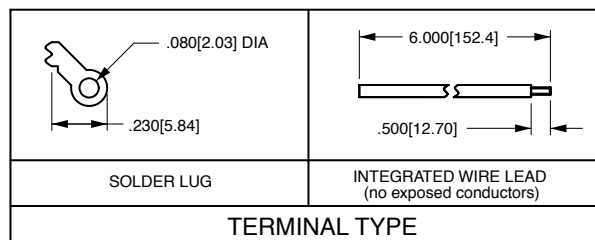
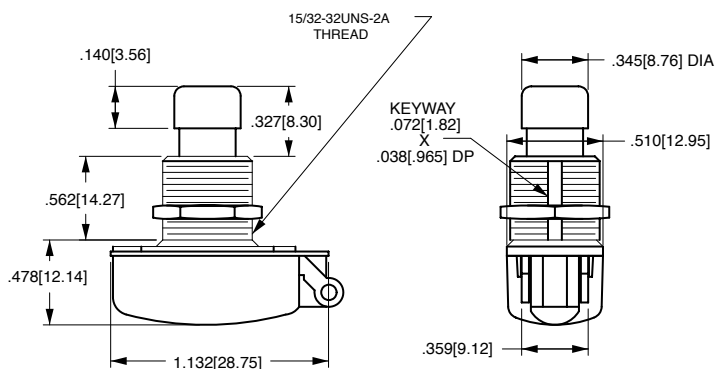
2 .312 length  
4 .562 length

#### 3 ACTUATOR STYLE <sup>2</sup>

**CBL** black plastic color cap  
**CRD** red plastic color cap

#### Notes:

- 1 Overtravel only available with #4 bushing.
  - 2 When selection 3 is left blank, a standard nickel plated plunger is supplied.
- ( ) Indicates momentary function.



\*Manufacturer reserves the right to change product specification without prior notice.