

LEDtec LED Indicators



Our extended range of LEDtec LED Indicators utilises multi-chip technology to provide bright, even colour and long life.

The modern design features back of panel lock-nut fixing for easy installation and captive-screw clamp terminals for quick and reliable connection.

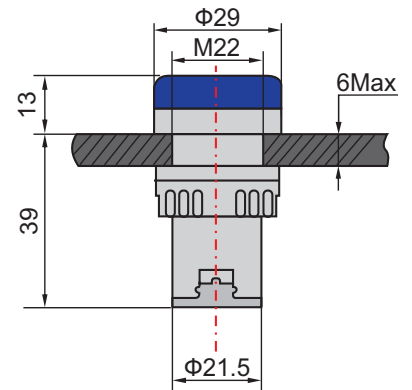
LEDtec 22.5mm Indicators



Colours available:
Red, Yellow,
Green, White, Blue



High performance and reliability make our single colour LED Indicators a perfect choice. TUV, UL and CSA approvals make them ideal for International applications.



LEDtec Technical Specification

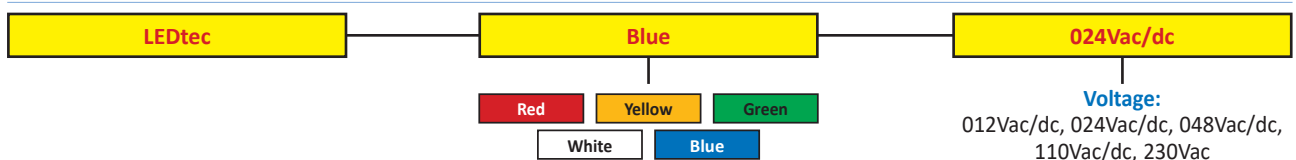
Voltages Available (V_n)	12, 24, 48, 110 Vac/dc and 230Vac
Operating Voltage Range	$V_n \pm 15\%$
Frequency (ac)	50 - 60Hz
Insulation Resistance	$\geq 2M\Omega$
Insulation Withstand	2.5kVac, 1 minute
Current/Power Consumption	$\leq 20mA$
IP Rating (from front)	IP65
Brightness	$\geq 60 \text{ cd/m}^3$
Operational Life	30,000 hours
Temperature Range	-25°C to +55°C
Relative Humidity	$\leq 98\%$
Box Quantity	10
Certification	CE, TUV, UL, CSA
Enclosure Flammability Rating	UL94 V0

LEDtec Accessories



LEDtec Handtool
Specifically designed to fit our 22.5mm LEDtec range, this handy tool makes securing of the rear locking ring quick and effortless.

LEDtec Ordering Scheme



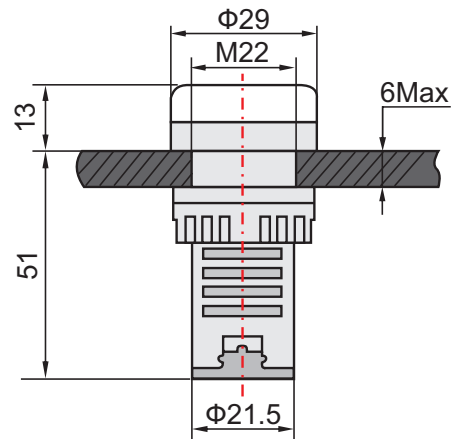
LEDtec Dual Colour 22.5mm Indicators



Colours available:
Red/Green, Red/Blue, Yellow/Green

Our Dual Colour LED Indicators are ideal for providing highly reliable indication with the added benefit of saving space by effectively combining two LEDtecs into one.

Fitting in the same 22.5mm cutout this is an easy solution to include extra functionality within existing panels as well as new designs.



LEDtec Dual Colour Technical Specification

Voltages Available (V_n)	24Vac/dc, 48Vac, 110Vac and 230Vac
Operating Voltage Range	$V_n \pm 20\%$
Frequency (ac)	50 - 60Hz
Insulation Withstand	$\geq 2M\Omega$
Current/Power Consumption	$\leq 20mA$
IP Rating (from front)	IP65
Brightness	40 - 60 cd/m ³
Operational Life	30,000 hours
Temperature Range	-25°C to +55°C
Relative Humidity	$\leq 98\%$
Box Quantity	10

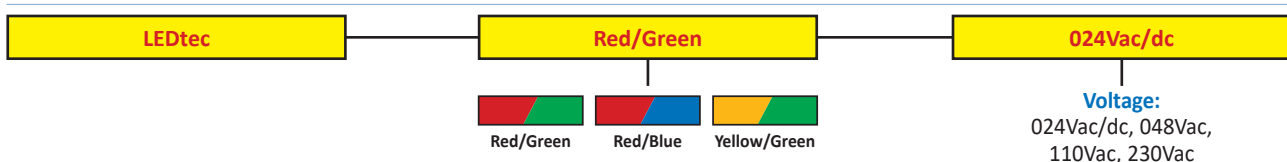
LEDtec Accessories



LEDtec Handtool

Specifically designed to fit our 22.5mm LEDtec range, this handy tool makes securing of the rear locking ring quick and effortless.

LEDtec Dual Colour Ordering Scheme

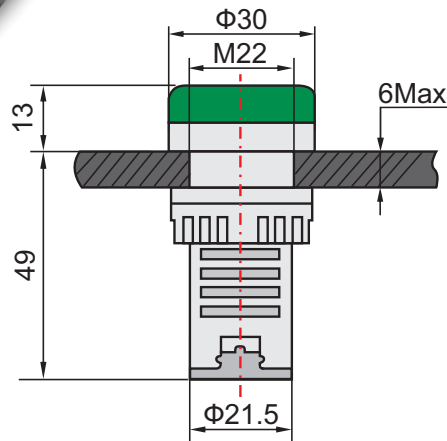
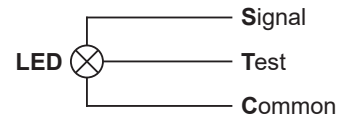


LEDtecTC 22.5mm Indicators with Lamp Test



Colours available:
Red, Yellow, Green, White, Blue

LEDtecTC Indicators offer the same reliable illumination as standard LEDtec Indicators, but with an additional terminal to allow connection to lamp test circuits.



LEDtecTC Accessories



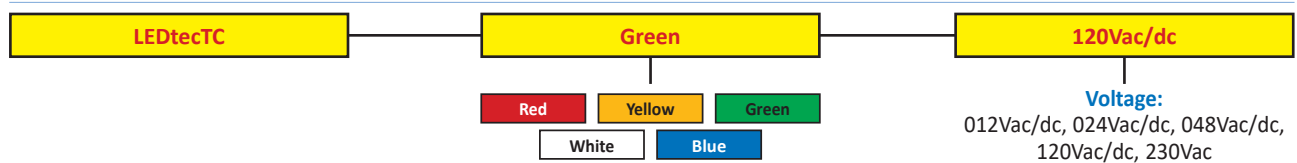
LEDtec Handtool

Specifically designed to fit our 22.5mm LEDtec range, this handy tool makes securing of the rear locking ring quick and effortless.

LEDtecTC Technical Specification

Voltages Available (V_n)	12, 24, 48, 120Vac/dc and 230Vac
Operating Voltage Range	$V_n \pm 15\%$
Frequency (ac)	50 - 60Hz
Insulation Resistance	$\geq 2M\Omega$
Insulation Withstand	2.5kVac, 1 minute
Current/Power Consumption	$\leq 20mA$
IP Rating (from front)	IP65
Brightness	$\geq 60 \text{ cd/m}^3$
Operational Life	30,000 hours
Temperature Range	-25°C to +55°C
Relative Humidity	$\leq 98\%$
Box Quantity	10
Certification	CE

LEDtecTC Ordering Scheme



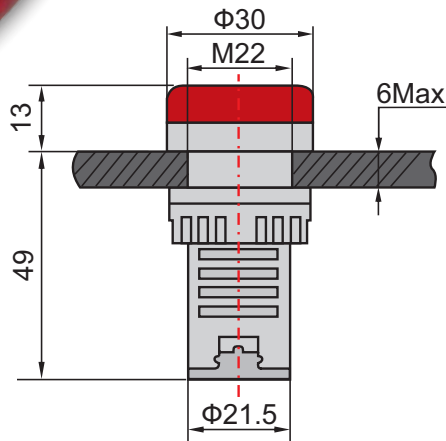
LEDtecPS 22.5mm Indicators with Pulsing Sounder



Colours available:
Red only

Combining a loud pulsing audible signal with visual indication, LEDtecPS Indicators save space and are ideal for use in alarm circuits or to attract attention from a distance.

Also available as PtecPS sounder only (please contact Techna for further information).



LEDtecPS Accessories



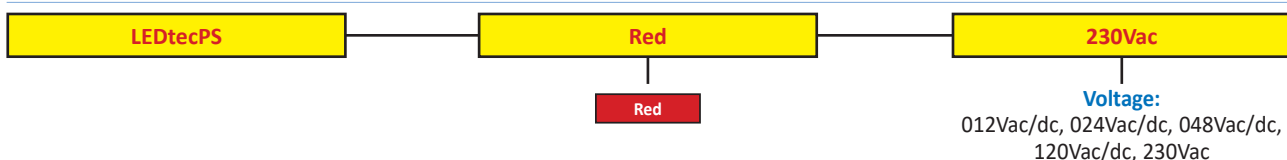
LEDtec Handtool

Specifically designed to fit our 22.5mm LEDtec range, this handy tool makes securing of the rear locking ring quick and effortless.

LEDtecPS Technical Specification

Voltages Available (V_n)	12, 24, 48, 120Vac/dc and 230Vac
Operating Voltage Range	$V_n \pm 15\%$
Frequency (ac)	50 - 60Hz
Insulation Resistance	$\geq 2M\Omega$
Insulation Withstand	2.5kVac, 1 minute
Current/Power Consumption	$\leq 20mA$
IP Rating (from front)	IP40
Brightness	$\geq 60 \text{ cd/m}^3$
Operational Life	30,000 hours
Temperature Range	-25°C to $+55^\circ\text{C}$
Relative Humidity	$\leq 98\%$
Box Quantity	10
Certification	CE

LEDtecPS Ordering Scheme

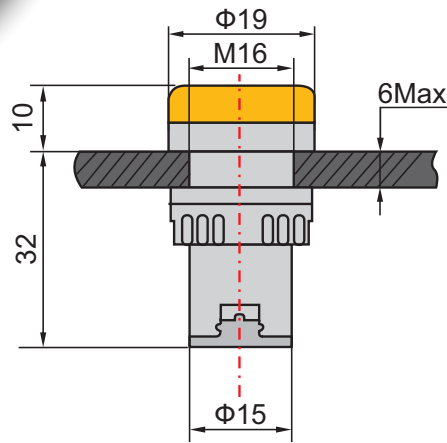


LEDtec16 16mm Indicators



Colours available:
Red, Yellow, Green, White, Blue

For applications where space is at a premium our LEDtec 16mm Indicators feature all of the benefits of our multi-chip LEDtecs in a more compact package.



LEDtec16 Accessories



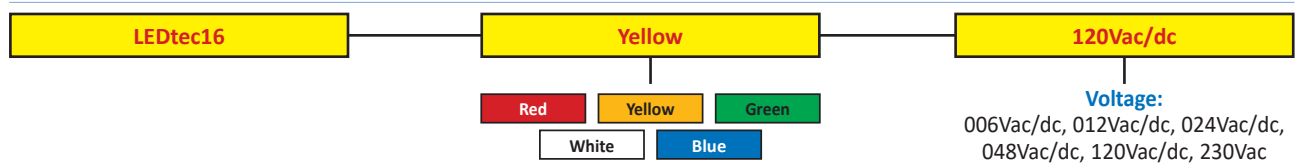
LEDtec Handtool 16mm

Specifically designed to fit our 16mm LEDtec range, this handy tool makes securing of the rear locking ring quick and effortless.

LEDtec16 Technical Specification

Voltages Available (V_n)	6, 12, 24, 48, 120Vac/dc and 230Vac
Operating Voltage Range	$V_n \pm 15\%$
Frequency (ac)	50 - 60Hz
Insulation Resistance	$\geq 2M\Omega$
Insulation Withstand	2.5kVac, 1 minute
Current/Power Consumption	$\leq 20mA$
IP Rating (from front)	IP44
Brightness	$\geq 60 \text{ cd/m}^3$
Operational Life	30,000 hours
Temperature Range	-25°C to +55°C
Relative Humidity	$\leq 98\%$
Box Quantity	20
Certification	CE

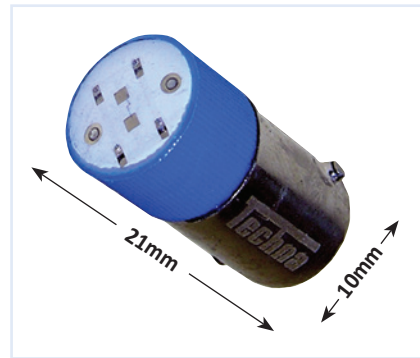
LEDtec16 Ordering Scheme



LEDtecBA9 BA9S Bayonet LED Bulbs



With industry standard BA9S bayonet fittings our high brightness, long lasting LEDtecBA9 LED Bulbs make incandescent lamps a thing of the past.



Colours available:
Red, Yellow, Green, White, Blue

LEDtecBA9 Technical Specification

Voltages Available (V_n)	6, 12, 24, 48, 120 and 230Vac/dc
Operating Voltage Range	$V_n \pm 15\%$
Frequency (ac)	50 - 60Hz
Insulation Resistance	$\geq 2M\Omega$
Insulation Withstand	2.5kVac, 1 minute
Current/Power Consumption	$\leq 20mA$
Brightness	$\geq 60 \text{ cd/m}^3$
Operational Life	30,000 hours
Temperature Range	-40°C to $+60^\circ\text{C}$
Relative Humidity	$\leq 98\%$
Box Quantity	10
Certification	CE

LEDtecBA9 Ordering Scheme

